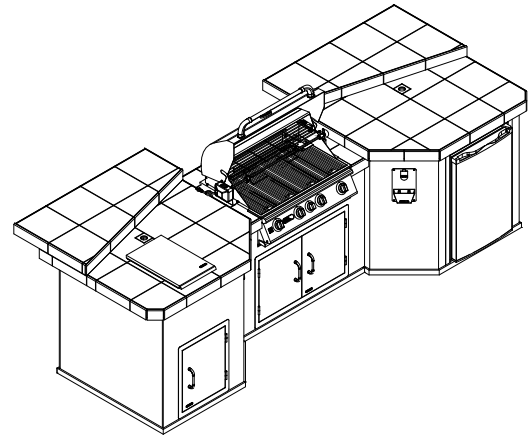


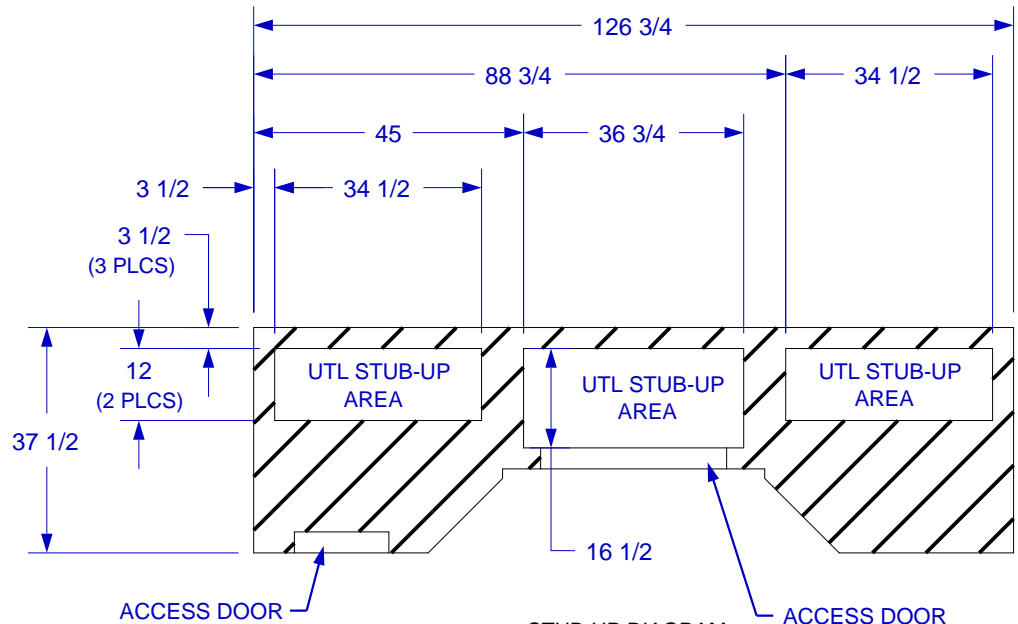
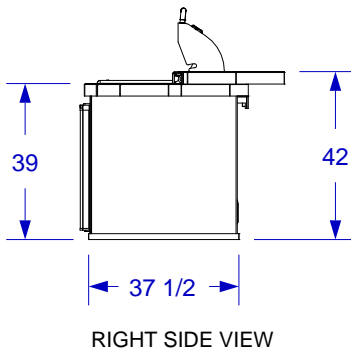
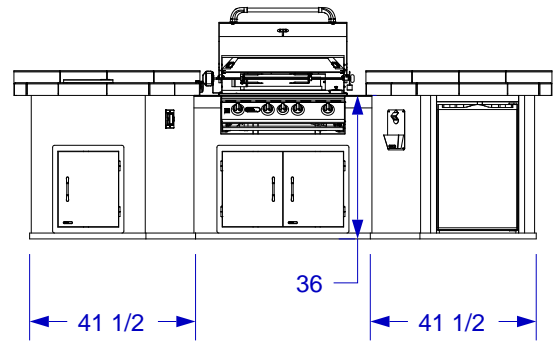
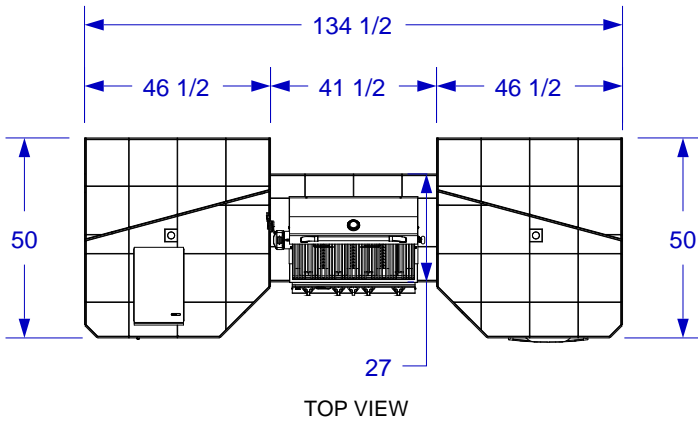


# MEGA Q ISLAND

## SPEC SHEET



ISOMETRIC VIEW



- NOTES:**  
 1. 6" MAX HEIGHT ON ALL STUB-UPS.  
 2. SHOWN WITH STANDARD 4-BURNER ANGUS GRILL.  
 3. SCALE: 1/4" = 1'-0"

STUB-UP DIAGRAM  
 SCALE 3/8" = 1' 0"  
 (SEE NOTE #1)